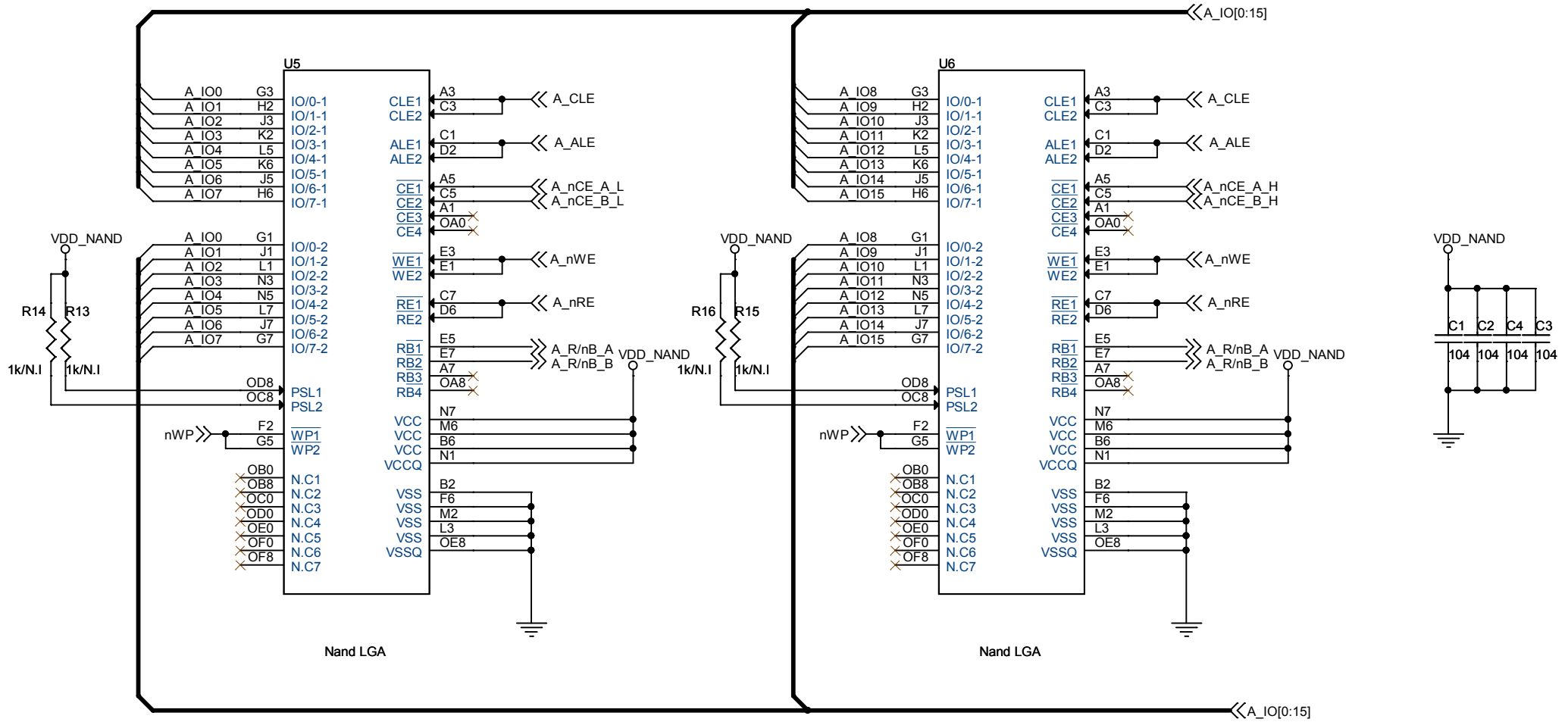


NAND(4 Chips) Module
(4ch x 16 I/O(2 NAND))
for LGA type of Nand Flash Memory

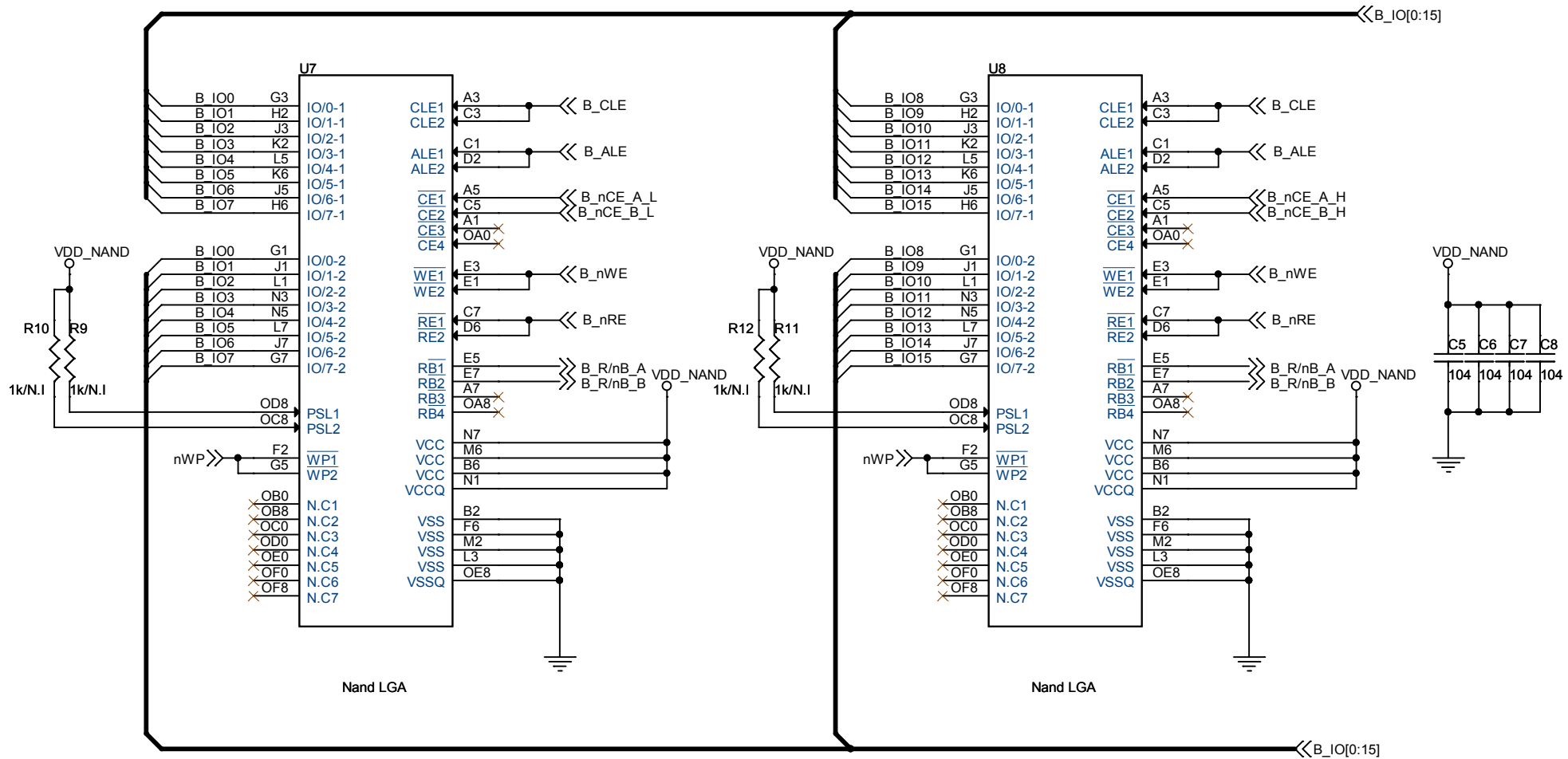
Title		
NAND Module for 41nm LGA type of Nand flash memory		
Size	Document Number	Rev
A3	INDTC09-090629-B-SCH	0.4
Date:	Tuesday, March 29, 2011	Sheet 1 of 5

Channel A

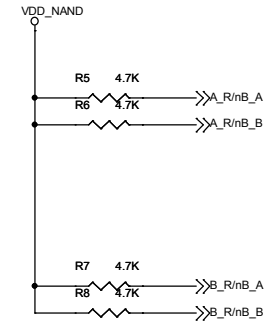
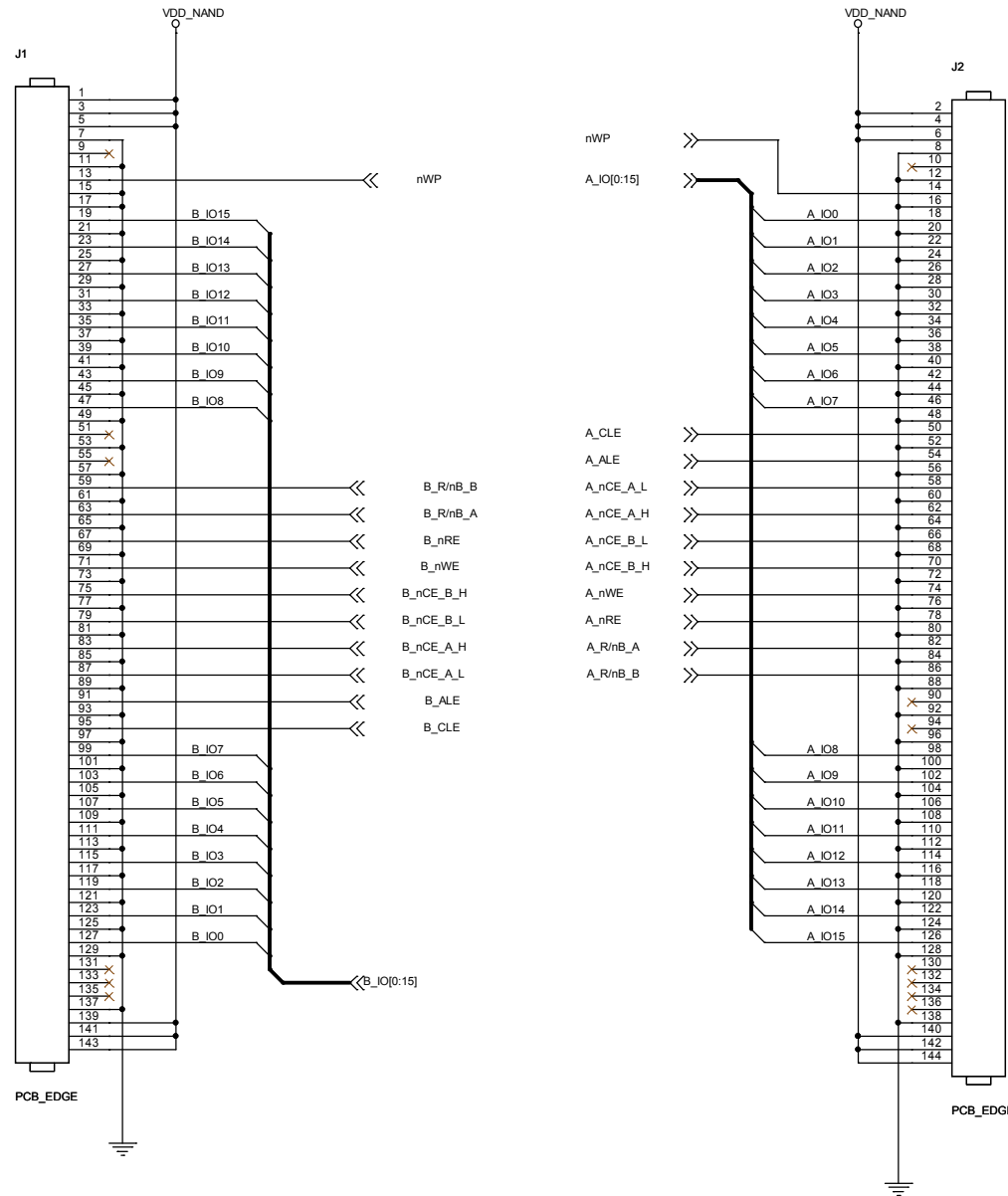


Title		
NAND Module for 41nm LGA type of Nand flash memory		
Size	Document Number	Rev
A4	INDTC09-090629-B-SCH	0.4
Date:	Tuesday, March 29, 2011	Sheet 3 of 5

Channel B



Title		
NAND Module for 41nm LGA type of Nand flash memory		
Size	Document Number	Rev
A4	INDTC09-090629-B-SCH	0.4
Date:	Monday, January 25, 2010	Sheet 4 of 5



Title		
NAND Module for 41nm LGA type of Nand flash memory		
Size	Document Number	Rev
A3	INDTC09-090629-B-SCH	0.4
Date:	Monday, January 25, 2010	Sheet 5 of 5